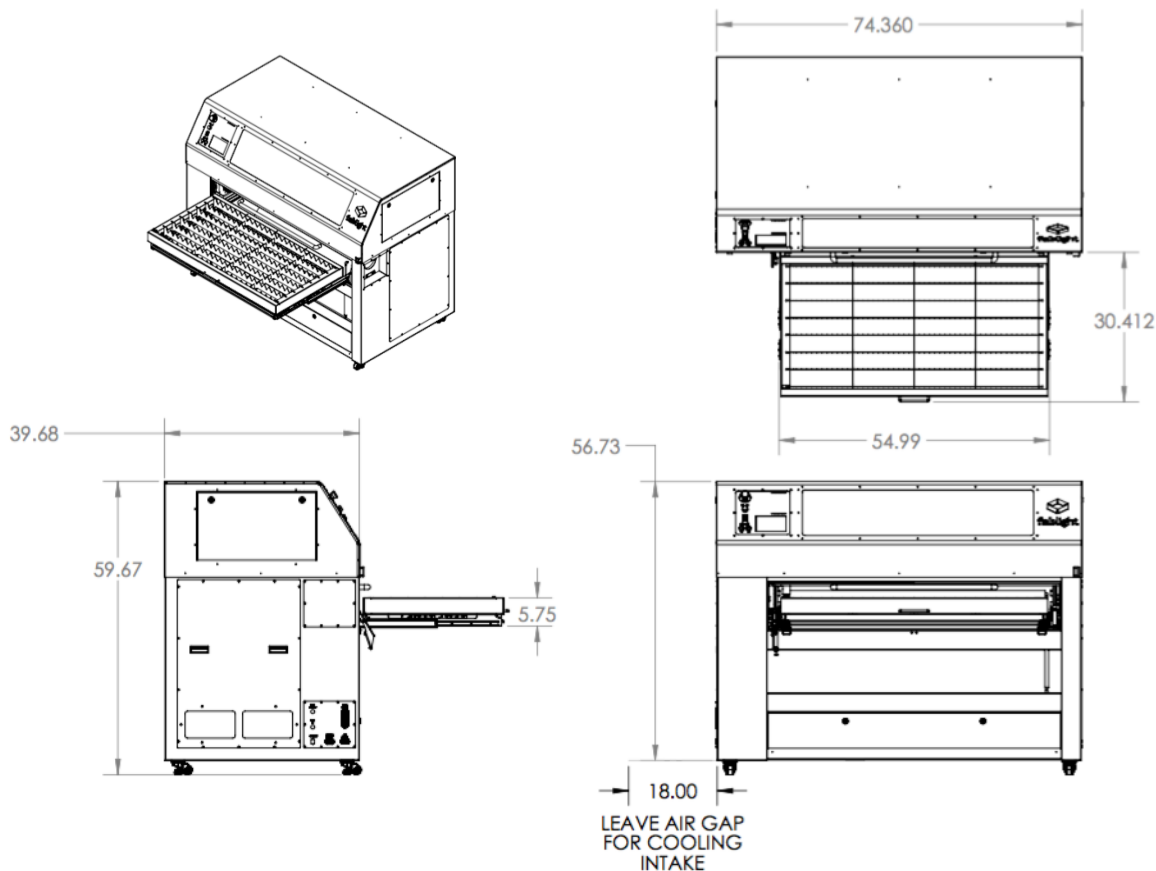


FabLight FL1500/3000/4500

Installation Requirements

Space Requirements

- 30" clearance in front for door to open
- 18" clearance on left side for cooling intake



Electrical Requirements

- Dedicated 110V/20A circuit
- Second 110V/15A circuit for HEPA vacuum

Plumbing Requirements

- 3/8" gas input from air compressor (no oil or water), or optional bottled gas (nitrogen, oxygen, argon)
- 175psi max input with standard regulator, 300psi max input with high pressure regulator. At least 7cfm required.
- 1.47" HEPA vacuum exhaust port (external venting optional)

Computing Requirements

- File Input: DXF files over USB
- For running FabCreator software:
 - 64-bit version of Windows 7 or 10
 - 4GB RAM, 2GHz processor, 200MB free space
- For running SolidWorks Weldment Plugin:
 - SolidWorks 2015 or later